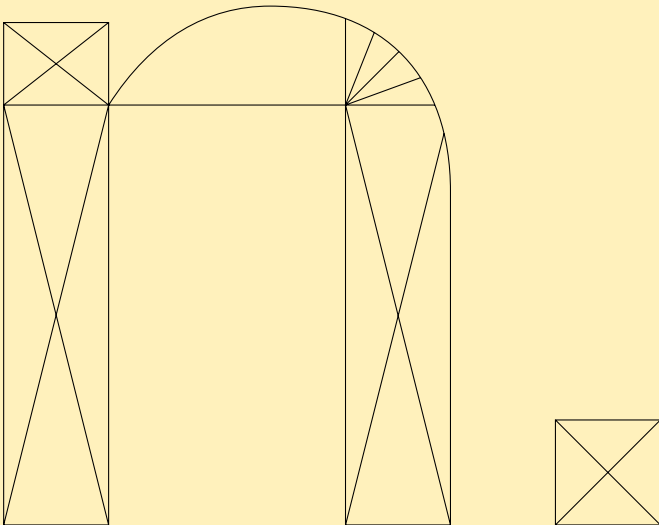


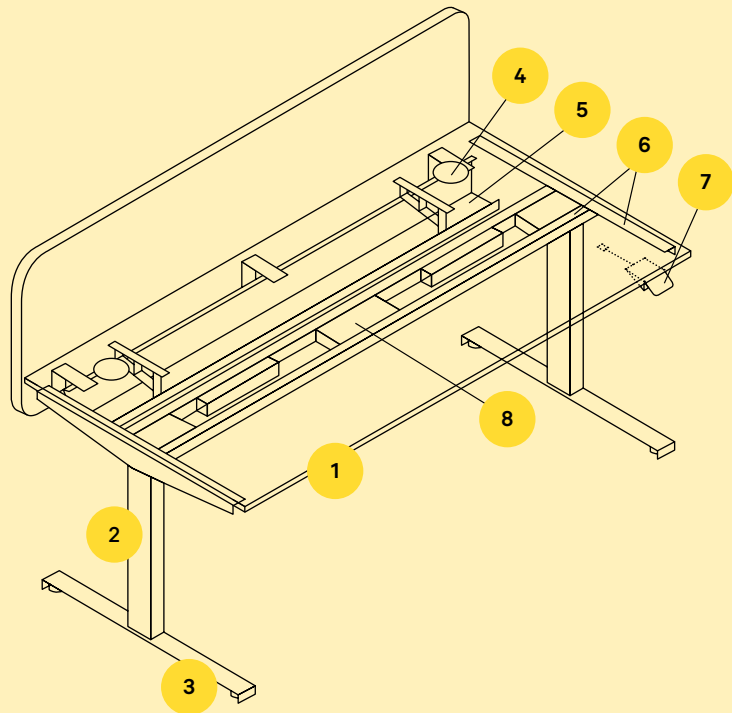
Flux E

Technical Specifications



Flux E

The Flux E is our starter model for healthier working through more movement. It offers all the features that a fully-fledged, electronically height-adjustable table should have – at an unbeatable price. Here are the technical details of our sit/stand workstation.



- 1 Table top
- 2 Lifting column
- 3 Foot
- 4 Cable outlet
- 5 Cable tray
- 6 Table frame
- 7 Manual switch
- 8 Control unit / Power supply

Sizes

Lengths in cm:
160 / 180

Widths in cm:
80 / 90cm

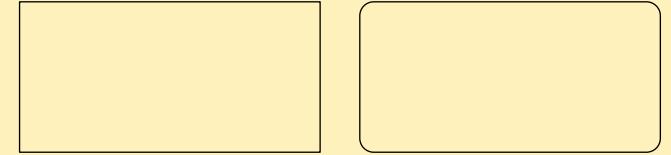
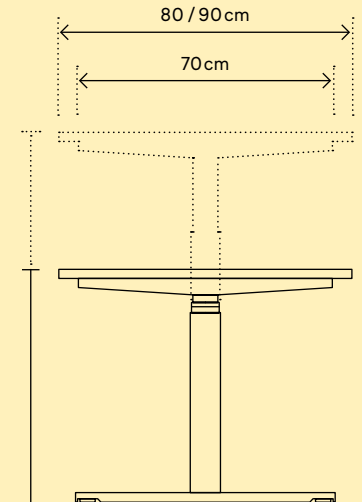


Table top available either with rectangular corners or with rounded corners (radius 80 mm)



Freely adjustable height:

- Table-top thickness 25mm: 61.6cm–126.6cm
- Table-top thickness 19mm: 61cm–126cm
- Table-top thickness 13mm: 60.4cm–125.4cm

Colours

Table frame



black silver white

Table top

Selectable according to surfaces collection, see pages 10/11

Components & Materials

Table top	<p>The table top is available in the following thicknesses:</p> <ul style="list-style-type: none">• Compact table top, 13mm thick• Melamine resin coated, edged quality chipboard, 19mm or 25mm thick <p>Optimum cable management by means of optionally available cable tray as well as variably mountable cable outlets</p>
Table frame	<p>The table frame consists of powder-coated, rectangular aluminium pipes that house the control system, as well as table-top supports that provide optimum stability.</p>
Cable tray	<p>The cable tray is constructed of 1mm thick, powder-coated steel plate and is screwed firmly to the table top by means of an injection-moulded, polyamide (30%-glass-fibre-reinforced = PA GF30) holder. The holder makes it easy to flip open the cable tray, thus ensuring uncomplicated cable management. A distance of 10.6cm from the underside of the table top to the bottom of the cable tray allows sufficient space for stowing all cables.</p>



Lifting columns and feet

The lifting columns with integrated collision protection are made of powder-coated, T-base, rectangular steel tubing in a narrow-top, wide-bottom design, with the following features:

- Three-stage telescopic rectangular column
- Stroke length: 650mm
- Lifting capacity: 800N/column
- Noise level: ~43 dB
- Lifting speed (upward): 38mm/s
- Integrated collision protection (with PIEZO™ sensor)
- Separate control system with power lead
- Two identical columns per table
- Manual switch, connected to control unit

Maximum load: 100kg

This weight includes such objects as a PC, PC holder, notice board, etc.

Power supply: Input 230V AC, 50Hz

Maximum ON time 2 min. in active operation, then 18 min.

OFF time

Appliance Class II

Power consumption:

Standby < 0.1 Watt




Upward lift with 100kg load = 300 watts



The feet ensure the stability of your work table. Adjustment screws on the underside of the feet can be used to compensate for slight unevenness (up to 12mm) in the floor.

Manual Switch

The Flux E offers a selection of three different types of manual switch. All of them have an intuitive flip function rather than buttons, which means you can easily adjust your table without looking at the switch. The three manual switch options have the following features:

		On/Off function	Activator Service	Bluetooth®	Memory function	LED diode	LED light strip	Display
Manual Switch Pure		✓	-	-	-	-	-	-
Manual Switch Pro		✓	✓	✓	✓	✓	-	-
Manual Switch Premium		✓	✓	✓	✓	-	✓	✓

Activator Service

The manual switches Pro and Premium have an integrated memory function: An LED diode or LED light strip signals the user, by means of a colour change from green to orange, when it is time to change position. The user may choose from preconfigured or individually defined time interval settings.

Bluetooth®

The manual switches Pro and Premium are both equipped with modern Bluetooth® technology. They can be connected with the Desk Control™ app to enable the desk to be controlled via mobile devices. The app is available for both Android and iOS mobile devices in the respective app stores.

Memory function

In order to return to preferred height settings quickly, these can be stored using the memory function of the Pro and Premium manual switches. At the touch of a switch, the work table returns automatically to the stored position. This function ensures totally uncomplicated adjustment of the table height to your desired working positions.

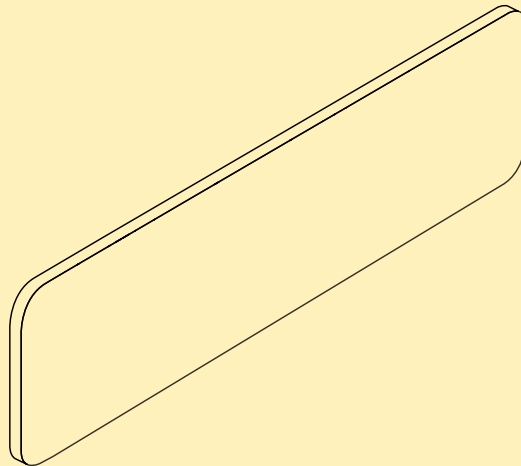
Notice Board

The optional Flux E notice board, conceived especially for this sit/stand work table, brings more privacy to the workplace. It has a double-layer structure designed so that notices can be pinned to the fabric-covered surface. In order to ensure easy retrofitting of a notice board at any time, the underside of every Flux E table top comes equipped with threaded inserts that can be used for mounting the notice board.

Sizes

Lengths in cm:
160 / 180

Height in cm:
50



Components & Materials

Notice board

- Chipboard, 10mm thick
- Softboard, 6mm thick
- Cover fabric (selectable according to Neudoerfler collection, see pages 12/13)

Notice board mounting parts

The notice board is designed to be screwed to the table top by means of metal brackets. An angle adjuster made of powder-coated steel is inserted between the lower edge of the table and the metal bracket. This enables precise adjustment of the notice board by about 5° to bring it into line with structural conditions or other furniture.



Surfaces Collection

Melamine, Solid Colours



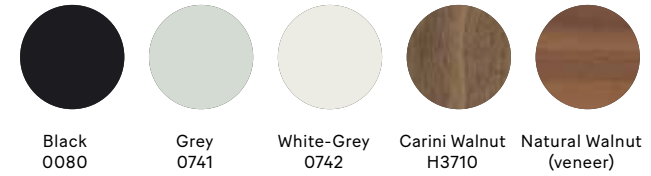
Melamine, Wood Decors



Melamine Decors



Compact Panels, Decors



Wood Veneers



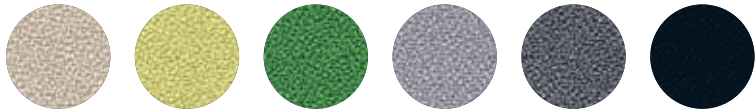
Fabric collection

Camira – Citadel

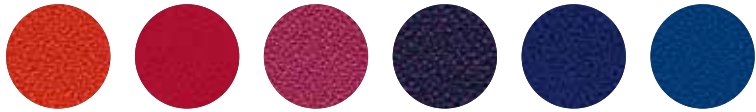


FL830 Resistance FL825 Lookout FL821 Fortress FL823 Manor FL822 Beacon FL832 Redoubt FL833 Confine

Camira – Xtreme



YS108 Aruba YS096 Apple YS159 Lombok YS094 Slip YS081 Blizzard YS009 Havana



YS076 Lobster YS079 Panama YS101 Diablo YS084 Tarot YS100 Ocean YS082 Scuba

Camira – Sonus



FHU08 Vocal FHR06 Audio FHU10 Chime FHR05 Amp FHU04 Music FHR03 Beat

Camira – Patina

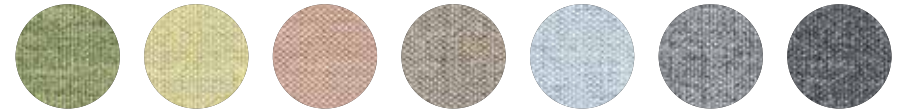


PAT19 Rippled PAT18 Blurred PAT14 Covered PAT40 Striated PAT32 Anodised PAT05 Reclaimed PAT25 Glisten



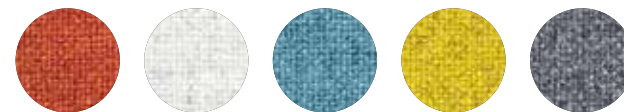
PAT03 Seasoned

Kvadrat – Remix 2



RE933 RE923 RE612 RE233 RE823 RE133 RE163

Kvadrat – Tonica 2



TO531 TO111 TO831 TO411 TO132

neudoerfler
For people with drive.